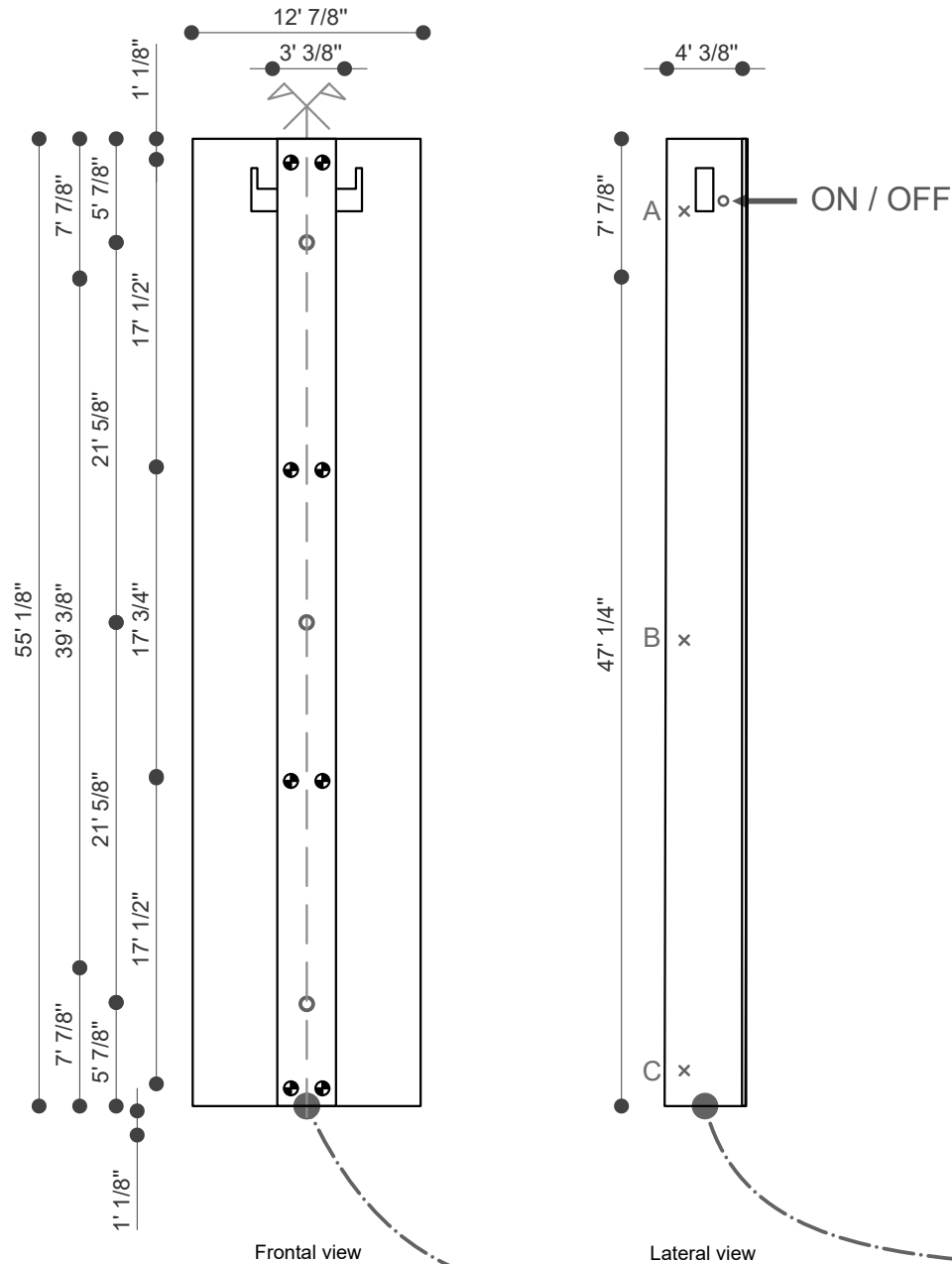


Before installing check CEI standards on our website.

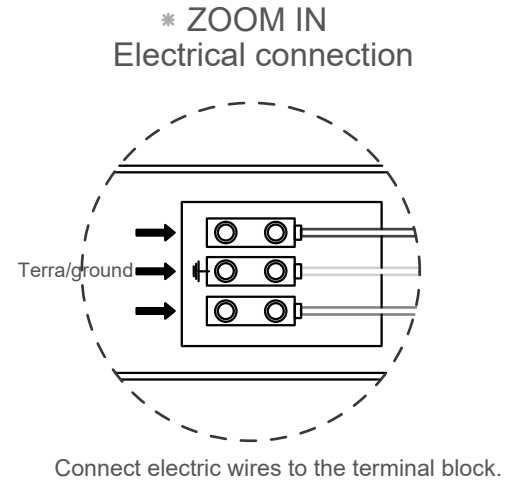
Note: Protection against electric shock available (earthing and bonding)  
For additional security, two mirror supports are included.

The installation should be done by an electrician.



## Instructions:

1. Unscrew screws A,B,C. Right and left.
2. Secure the body of the Towel warmer on the wall.
3. Make the connection electrician described below. \*
4. Replace the front cover.



- Electrical connection holes options.
- Hole for positioning of wall fixes. \*

Possible cable plug-in